

Part Number: PT427-35120

Kit Contents

Item #	Quantity Req'd.	Description
1	1	Hood Protector
2	1	Hardware Bag

Hardware Bag Contents

Item #	Quantity Req'd.	Description
1	6	#10 Flathead MS Screw
2	6	#8 MS Screw
3	2	Inner Bracket
4	2	Middle Bracket
5	2	Outer Bracket
6	4	Nylon Insert (Square)
7	2	Nylon Insert (Round)
8	6	Protective tape, thin (Mylar)
9	6	Protective tape, thick (Mylar)

Additional Items Required For Installation

Item #	Quantity Req'd.	Description
1		

Conflicts

--

Recommended Tools

Personal & Vehicle Protection	Notes
Vehicle Protection	Blanket
Special Tools	Notes
None	
Installation Tools	Notes
Screwdriver	Phillips, #2
Special Chemicals	Notes
Cleaner	Soap and Water

NOTE: Part number of this accessory may not be the same as the part number shown.

General Applicability

--

Recommended Sequence of Application

Item #	Accessory
1	

*Mandatory

Vehicle Service Parts (may be required for reassembly)

Item #	Quantity Req'd.	Description
1		
2		
3		

Legend



STOP: Damage to the vehicle may occur. Do not proceed until process has been complied with.



OPERATOR SAFETY: Use caution to avoid risk of injury.



CAUTION: A process that must be carefully observed in order to reduce the risk of damage to the accessory/vehicle and to ensure a quality installation.



TOOLS & EQUIPMENT: Used in Figures calls out the specific tools and equipment recommended for this process.



REVISION MARK: This mark highlights a change in installation with respect to previous issue.



SAFETY TORQUE: This mark indicates that torque is related to safety.

Care must be taken when installing this accessory to ensure damage does not occur to the vehicle. The installation of this accessory should follow approved guidelines to ensure a quality installation.

These guidelines can be found in the "Accessory Installation Practices" document.

This document covers such items as:-

- Vehicle Protection (use of covers and blankets, cleaning chemicals, etc.).
- Safety (eye protection, rechecking torque procedure, etc.).
- Vehicle Disassembly/Reassembly (panel removal, part storage, etc.).
- Electrical Component Disassembly/Reassembly (battery disconnection, connector removal, etc.).

Please see your Toyota dealer for a copy of this document.

1. Pre-installation Preparation.



- (a) Inspect and verify the kit contents.
- (b) Make sure front edge of hood, where the deflector is to be installed is clean and free from dirt and/or debris. Clean using soap and water, dry thoroughly.
- (c) Cover the engine compartment with a protective blanket to catch any dropped hardware.
- (d) Remove masking from hood protector.

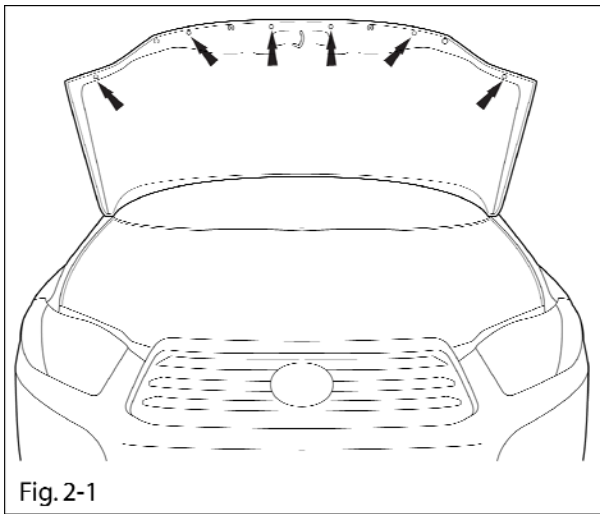


Fig. 2-1

2. Installation.



- (a) Locate the proper six holes underneath the front edge of the hood. These will be utilized to attach the brackets. (Fig 2-1)
- (b) Apply the thicker protective MYLAR strips at the edge of the hood in the area of the six bracket locations. The longer side should be horizontal (Fig. 2-2).

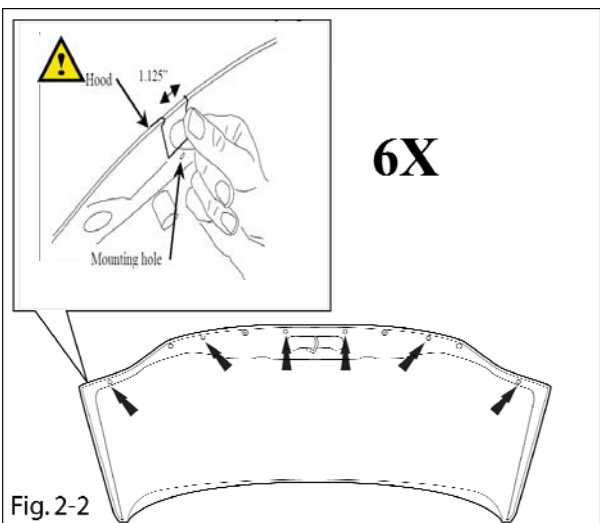
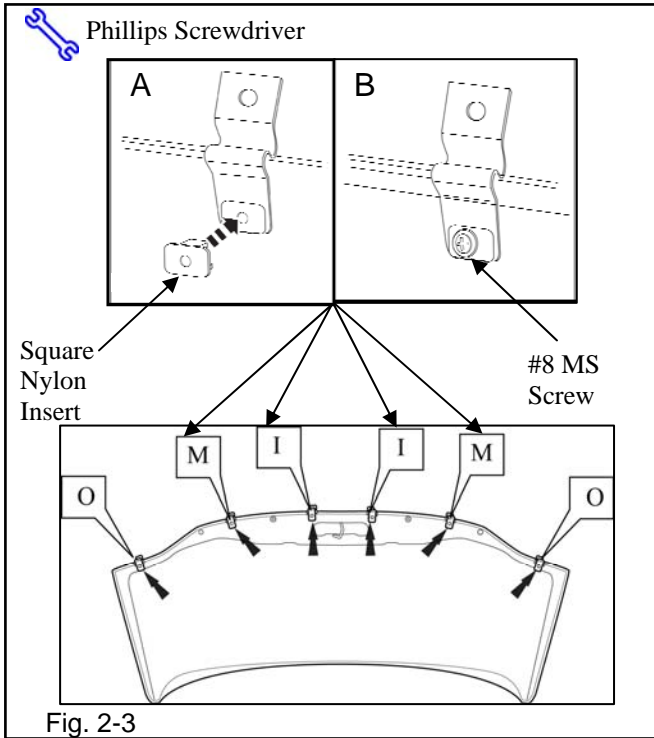


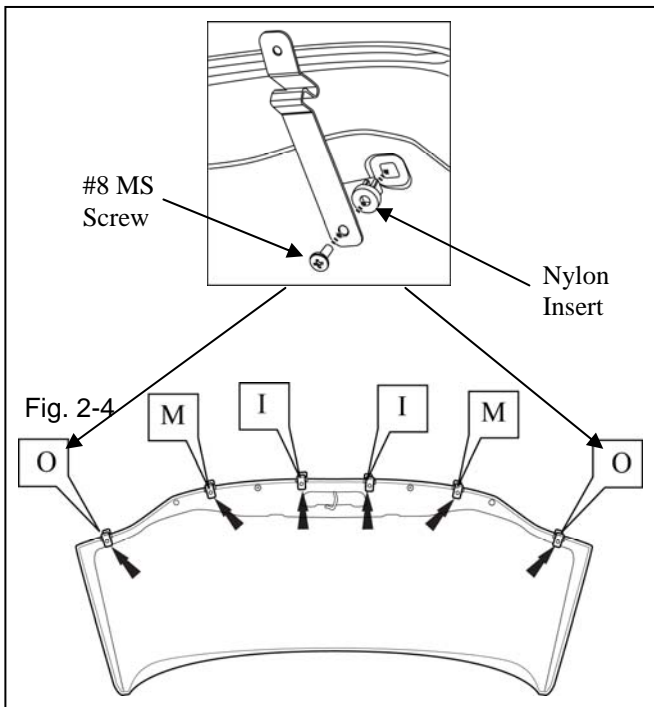
Fig. 2-2

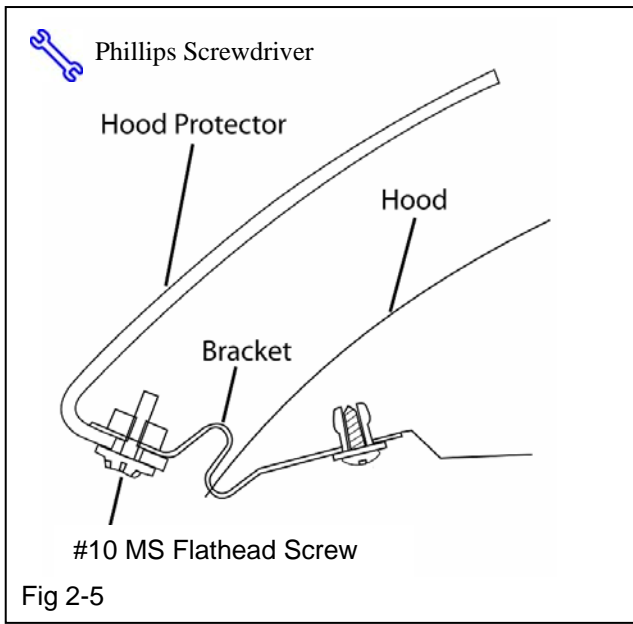
NOTE: MYLAR tape should wrap around the edge of the hood and cover the top and bottom of the hood surface. Thicker Mylar tape is located in a secondary bag inside the hardware kit.



(c) Locate the engraved letters “I”, “M” and “O” on each bracket and split in three groups with the same letters. Bracket locations are shown in Fig 2-3 and 2-4.

- i.) Select one of the square hole bracket, verify the letter, locate the proper position (Fig. 2-3) and slide the bracket in position. Insert and snap the SQUARE nylon insert over the bracket and into the hood square hole (Fig 2-3A).
- ii.) Bracket should be snug against the hood. If the bracket is not snug remove the nylon square insert and the bracket and add another strip of mylar (thin) and repeat the previous operation (2.b.i.).
- iii.) Insert the #8 MS screw and then tighten (Fig 2-3B).
- iv.) For the Outer brackets, they are to be installed with the ROUND nylon inserts. Snap the ROUND nylon insert over the designed hood hole position (Fig 2-4). Position the bracket and match the bracket hole with insert hole (Fig 2-4).
- v.) Bracket should be snug against the hood. If the bracket is not snug remove the bracket add another strip of mylar and position the bracket again.
- vi.) Insert the #8 MS screw and then tighten (Fig 2-4).





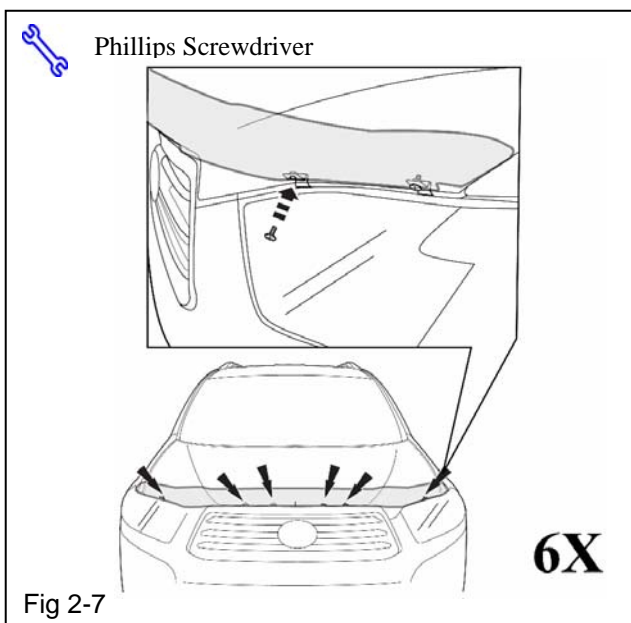
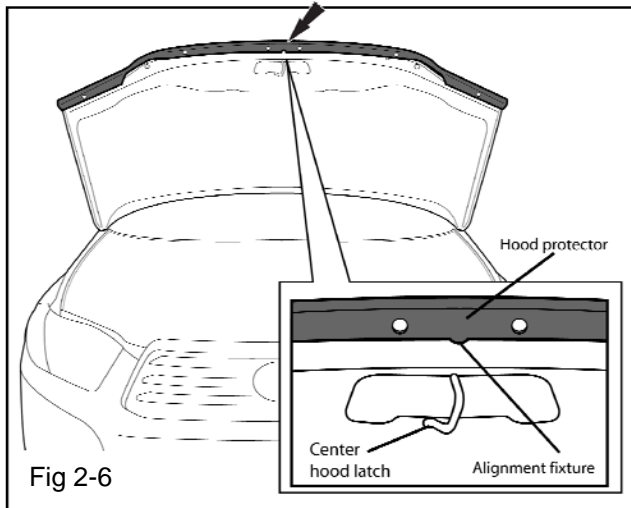
(d) Loosely attach the shield to brackets using the #10 MS Flathead screws 6 places. (Fig. 2-5)

Note: Hood must be opened for proper access of the machine screw heads.

(e) Align the shield using the alignment feature on the center of the shield then tighten the #10 MS Flathead Screw, 6 places. (Fig. 2-6 and 2-7.)

(f) Remove all tools, protective cover and other materials used for installation.

(g) Close the hood



TOYOTA TACOMA 2012 - HOOD PROTECTOR

Checklist - these points **MUST** be checked to ensure a quality installation.

Check:

Look For:

Accessory Function Checks

- Inspect brackets
- Mylar Installation
- Screw Tightness
- Hood Closure

Groove in bracket to fit securely along edge of hood.

Mylar strips should not have air bubbles or wrinkles.

Screws attaching brackets to shield are firmly tightened.

Brackets do not contact headlights or grill.